

TOKNAV



T20Pro GNSS Receiver

T20Pro is a high-performance GNSS receiver that provides an easy-to-use solution for users. You can forget the bubble when you use TokNav T20Pro, which support the original tilt compensating GNSS solution. Multi constellation and frequency tracking always gives a Fixed solution for your job. The durable IP68 design makes it possible to work in extreme environments.



Linux intelligent system

Qualcomm Cortex-A7 + Linux, the intelligent system platform, brings efficient computing and unlimited expansion of product functions to users.



Multi constellation

With its 1408 channels, T20Pro provides an excellent on board real time navigation solution with high accuracy. All GNSS signals (GPS, GLONASS, BEIDOU, GALILEO, QZSS and SBAS) are included.

Adjustable power

T20Pro have internal radio of adjustable power of 1W/5W, and work as base station at 5W power. The transmission distance can reach to maximum 16KM when working in the open area, and can reach to maximum 9KM under the general situation



4G Modem

T20Pro has an internal 4G modem that operates with more cellular network signals. A fast internet connection is guaranteed.



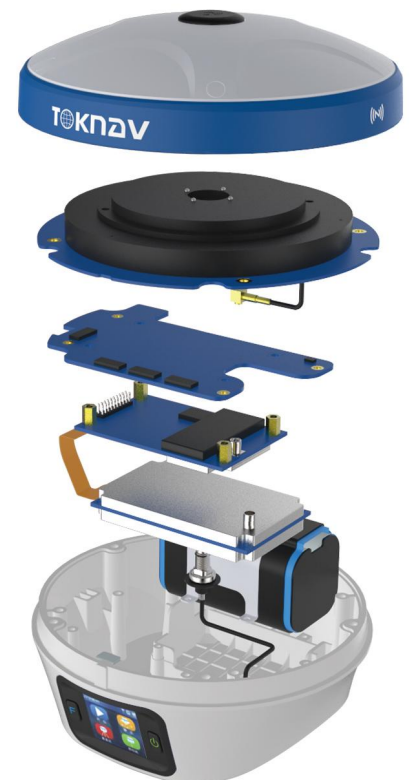
Combined antenna

The new four in one antenna integrates GNSS, WiFi, Bluetooth and 4G, with smaller volume and better signal.



Long endurance

Built in high-capacity lithium battery ensures continuous working time of more than 20 hours under normal operation.



T20Pro GNSS Receiver

Characteristic



Qualcomm Cortex-A7 + Linux intelligent system



BDS, GPS, GLONASS, Galileo, QZSS and SBAS



LCD panel



Support tilt measurement, and meet the positioning accuracy of less than 2cm within the tilt range of 60°



Support 4G, Radio, Bluetooth and WiFi, and work more flexibly



Built in high-capacity lithium battery, super fast charge ultra long life



Industrial design, solid magnesium alloy shell, in line with IP68 design requirements, safe and reliable



PCR100 Data Collector

PCR100 Data Collector

The PCR100 Controller is a rugged multifunctional data controller with design of 5 inch sunlight readable HD touch screen and an alphanumeric keypad. Equipped with powerful Octa-core processor and Android operating system. With professional IP68 rating, it is robust and reliable for outdoor harsh environment. The large capacity lithium battery guarantees more than 10 hours of field working for a whole day of multiple surveying tasks.

Key Features

- Five inch sunlight readable HD touch screen;
- Octa-core 2.0GHz CPU;
- Android 8.1 operating system;
- 4GB RAM + 64GB ROM;
- 5MP front camera and 12MP rear camera;
- IP67 certified grade, water/shock/dust proof;
- 7000mAh battery;
- Wi-Fi, Bluetooth, NFC and 4G;
- USB Type-C.



| ITEM | SPECIFICATION | REMARKS | |
|-----------------------------|---|---|---|
| HARDWARE SYSTEM | Qualcomm Cortex-A7 | | |
| OS | Linux | | |
| GNSS | GPS | L1C/A, L1C, L2P(Y), L2C, L5 | |
| | GLONASS | L1, L2 | |
| | BDS | B1I, B2I, B3I, B1C, B2a, B2b | |
| | GALILEO | E1, E5a, E5b, E6 | |
| | QZSS | L1, L2, L5 | |
| | SBAS | L1 | |
| | NavIC(IRNSS)* | L5* | IRNSS support in future |
| | Channel | 1408 channels | |
| | Data format | NMEA-0183 | |
| | Correction I / O Protocol | RTCM2.X, RTCM3.X | |
| | Data update frequency | 5Hz | |
| | Recapture Time | <1s | |
| Cold Boot | <30s | | |
| POSITIONING ACCURACY | Single(RMS) | Horizontal: 1.5m vertical: 2.5m | |
| | DGPS(RMS) | Horizontal: 0.4m vertical: 0.8m | |
| | RTK(RMS) | Horizontal: $\pm(8\text{mm}+1\text{ppm})$; Vertical: $\pm(15\text{mm}+1\text{ppm})$ | |
| | Time Accuracy(RMS) | 20ns | |
| | Static Accuracy(RMS) | Horizontal: $\pm(2.5\text{mm}+0.5\text{ppm})$; Vertical: $\pm(5\text{mm}+0.5\text{ppm})$ | |
| | Speed Accuracy(RMS) | 0.03m/s | |
| | Tilt compensation Accuracy (within 60°) | <2cm | |
| SYSTEM | Bluetooth | BR+EDR+BLE | |
| | WIFI | 802.11 b/g/n | |
| | Network | LTE FDD: B1/2/3/4/5/7/8/12/13/18/19/20/25/26/28 TTE TDD: B38/39/40/41 WCDMA: B1/2/4/5/6/8/19 GSM: B2/3/5/8 | |
| | Data Radio | Frequency: 410~470MHz Protocol: TRIMTALK, TRIMMK3, SOUTH, TRANSEOT RF transmit power: 1W/5W Air baud rate: 9600/19200bps | |
| | Storage | 32GB, User Storage Space 24GB | |
| DISPLAY | LCD | Screen size: 1.3inch Display mode: TFT Display format: 240xRGBx240 View Angle: FULL | |
| BATTERY | Battery | 7.4V, 6500mAh | |
| | Work time | More than 20 hours (typical, Rover, GSM) | The static working mode supports continuous data collection for 24 hours under full power |
| | Charge | USB PD 15V/2A 5V/3A | Support fast charging adapter and adaptively and dynamically adjust charging current |
| ENVIRONMENT | Work Temperature | -20°C~+60°C | |
| | Storage Temperature | -40°C~+85°C | |
| | Shock | Withstand 1.5M pole drop | |
| | Protection | IP68 | |
| PHYSICAL | Material | Magnesium alloy main body, ABS/PC top cover | |
| | Dimension | $\Phi 143.5\text{mm} \times 90.7\text{mm}$ | |
| | Weight | $\leq 0.90\text{kg}$ | |
| A FULL SET | T20Pro Device | 1 SET | |
| | USB power adapter | 1 PCS | |
| | Type-C To Type-C | 1 PCS | |
| | Radio Antenna | 1 PCS | |

Guangzhou TokSurvey Information Technology Co.,Ltd

ADD: No. 136, Yingbin Avenue, Room 1232, Huadu District, Guangzhou 510800, China.
www.toknav.cn email: info@toknav.cn

